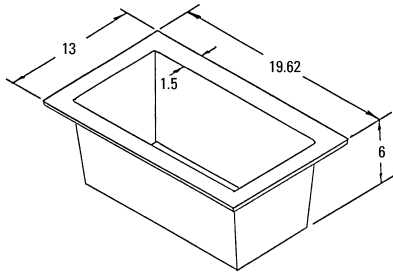

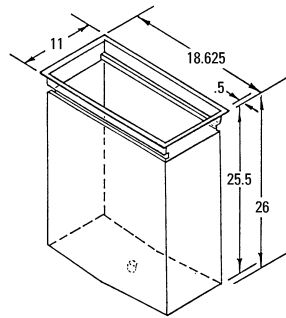

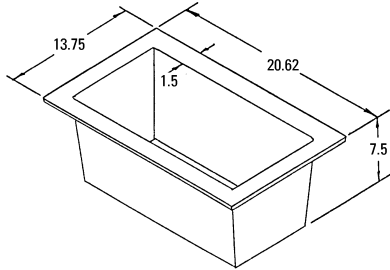

 Liner Only:
 Model #**8467-00**
 Insulated Liner:
 Model #**8467-01**



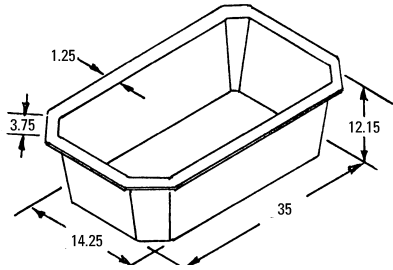

 Liner Only:
 Model #**80-8527-00**
 Insulated Liner:
 Model #**80-8527-01**




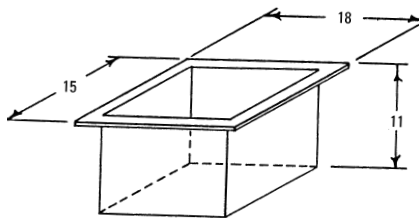

 Liner Only:
 Model #**8468-00**
 Insulated Liner:
 Model #**8468-01**



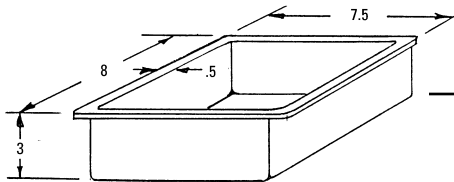

 Liner Only:
 Model #**80-8361-00**
 Insulated Liner:
 Model #**80-8360-00**



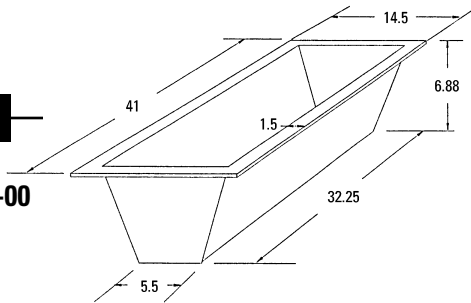

 Liner Only:
 Model #**80-8423-00**
 Insulated Liner:
 Model #**80-8423-01**



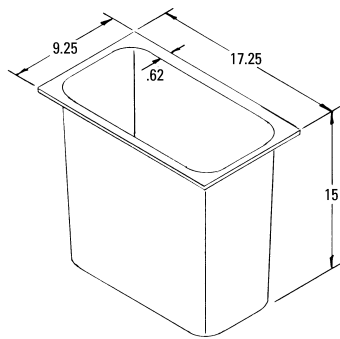

 Liner:
 Model #**80-8381-00**



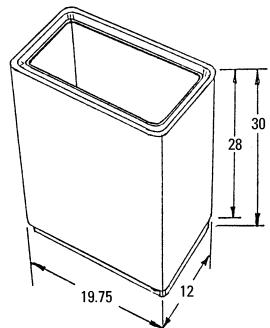

 Liner Only:
 Model #**80-4148-00**



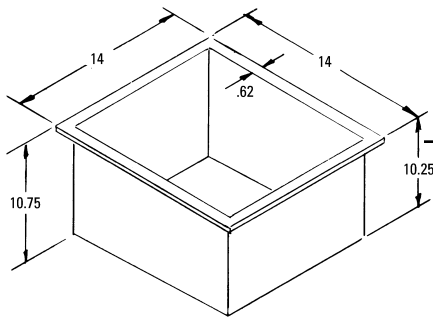

 Liner:
 Model #**80-8469-00**



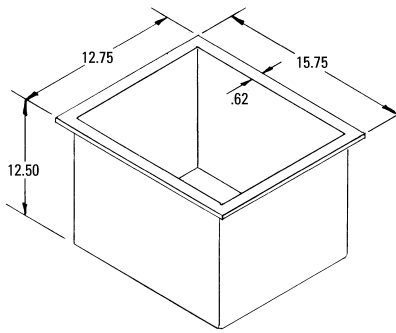

 Cooler Shell:
 Model #**80-8526-02**



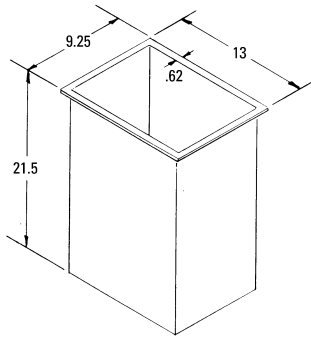

 Liner:
 Model #**80-8470-00**



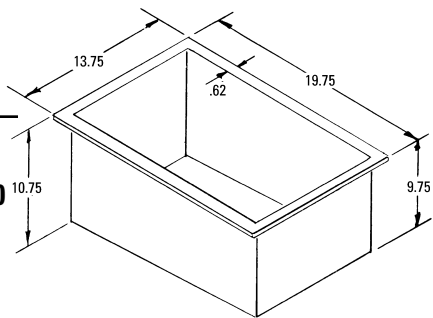
Liner:
Model #80-8471-00



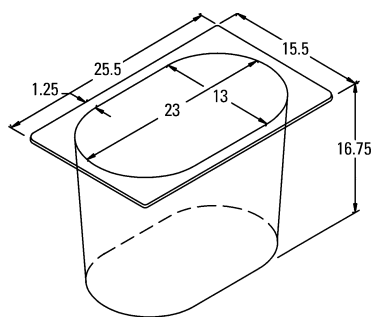
Liner:
Model #80-8472-00



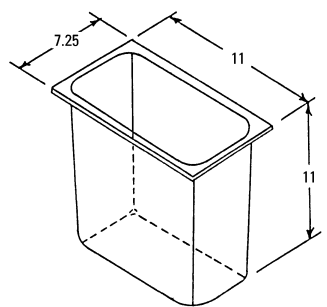
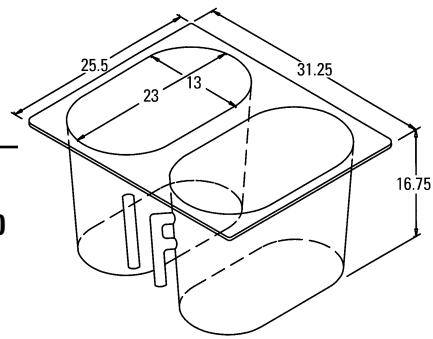
Liner:
Model #80-8473-00



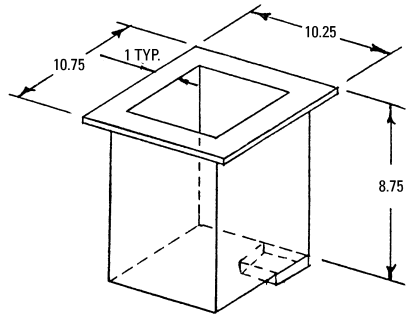
Livewell:
Model #80-4151-00



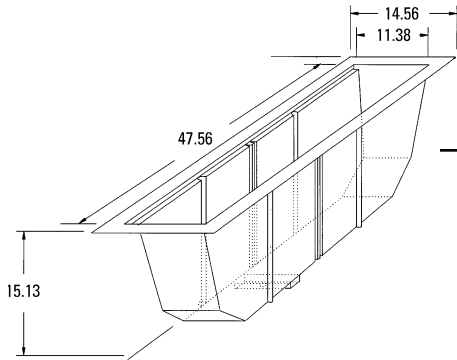
Livewell:
Model #80-8407-00



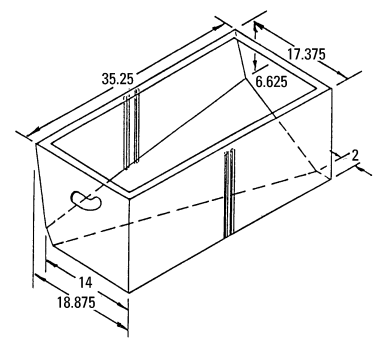
Liner:
Model #80-8586-00



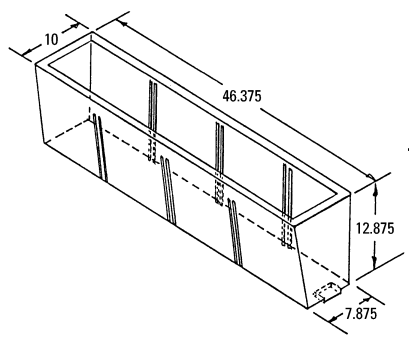
Liner:
Model #80-8544-00



Livewell:
Model #80-8612-00



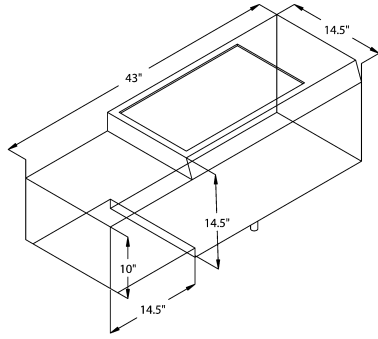
Livewell:
Model #80-8327-00



Livewell:
Model #80-8313-00

[See following section for recent additions to our Drop-Ins & Livewells product line.]

Model #**80-8666**
Model #**8666**



Model #**80-8675**
Model #**8675**

